

Solar Racking Component

- National Offices: BRISBANE | PERTH | MELBOURNE | SYDNEY | ADELAIDE
- Brisbane Office: 55 Rai Drive, Crestmead, QLD 4132 ■ T: (07) 3387 1888
- Perth Office: 33 Tacoma Cct, Canning Vale WA 6155 ■ T: (08) 63235860
- Melbourne Office: 23 Jamieson Way Dandenong South VIC 3171 ■ T: (03) 8510 1175
- Sydney Office: 52 Quarry Road Erskine Park NSW 2759 ■ T: (02) 9832 7036
- Adelaide Office: 54-56 Diagonal Rd, Pooraka SA 5095 ■ T: (08) 8260 6856

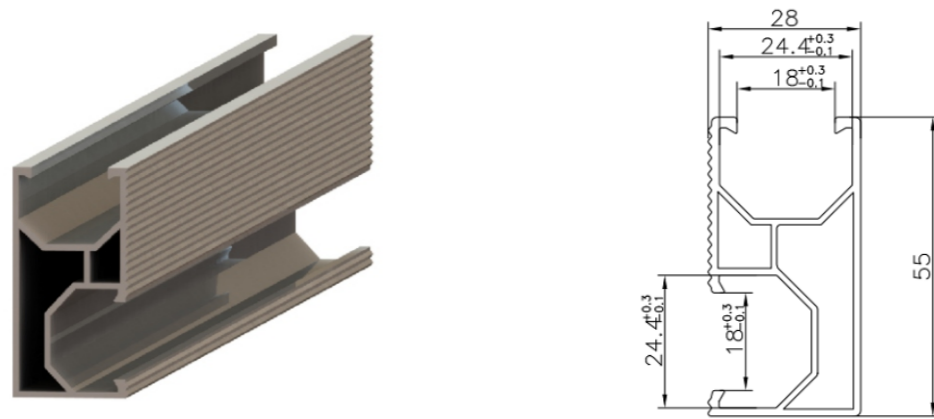


Contents

■ TT Anodized Rail	01
■ TT Anodized V2 Rail	01
■ TT-IK-05	02
■ TT-IK-01	03
■ TT-AD-FL	04
■ TT-AD-RL-15/30	05
■ TT-AD-RL-10/15	06
■ TT-IK-H04	07
■ TT-RC-D	08
■ TT-R-SPB	09
■ TT-IK-S07	10
■ TT-CK-S01	11
■ TT-IK-406	12
■ TT-IK-MH700	13
■ TT-EC-32	14
■ TT-IC-30/35	15
■ TT-EC-A30/35	16
■ TT-IC-35/40	17
■ TT-EC-A35/40	18
■ TT-IC-30/35B	19
■ TT-EC-A30/35B	20
■ TT-IC-35/40B	21
■ TT-EC-A35/40B	22
■ TT-DM-25	23
■ TT-GC	24
■ TT-SSCC	25
■ TT-GL	26
■ TT-TIN-6P-35/40	27
■ TT-TIN-8P-35/40	28
■ TT-TILE-6P-35/40	29
■ TT-TILE-8P-35/40	30

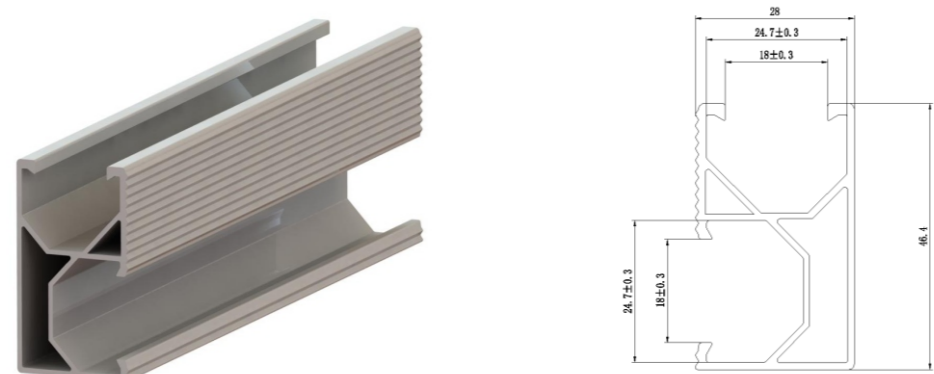
TT Anodized Rail

Product CODE	TT-DR-4200/TT-DR-4400/TT-DR-4600
Product Name	TT Anodized Rail
MATERIAL	AL6005-T5
SURFACE TREATMENT	ANODIZING 10um
Length	4200/4400/4600mm



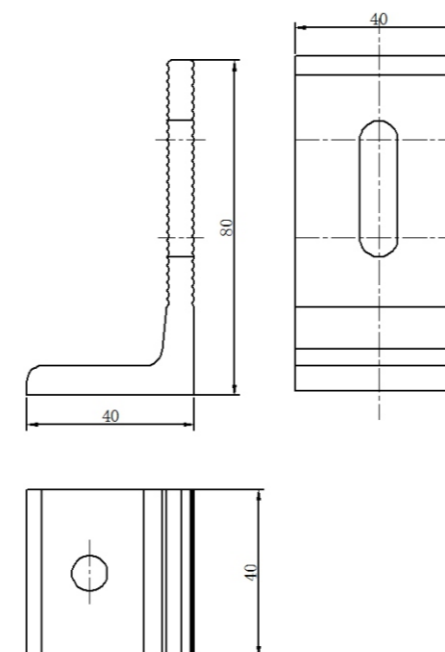
TT Anodized V2 Rail

Product CODE	TT-DRV2-4200/TT-DRV2-4400/TT-DRV2-4600
Product Name	TT Anodized V2 Rail
MATERIAL	AL6005-T5
SURFACE TREATMENT	ANODIZING 10um
Length	4200/4400/4600mm



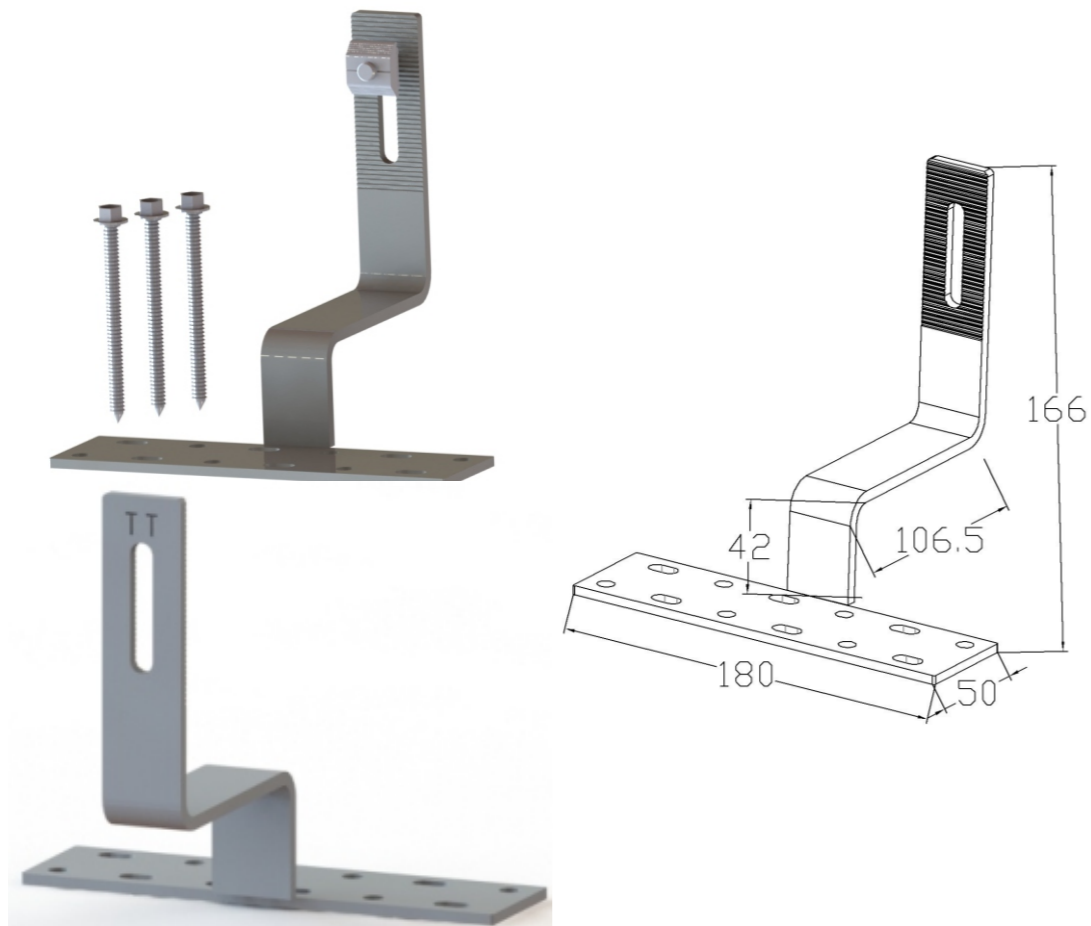
TT-IK-05

Product CODE	TT-IK-05
Product Name	TT Tin Roof Hook
MATERIAL	AL6005-T5 & SS304 Bolt & SUS 410 Screw(Dacromet)
SURFACE TREATMENT	ANODIZING 10um
Package	200pcs/carton,545*212*340mm
Weight	0.14KG/PC
Contents	1x M8 bolt (25mm)with D-module ,1xST6.3(80mm) screw&ruber pad



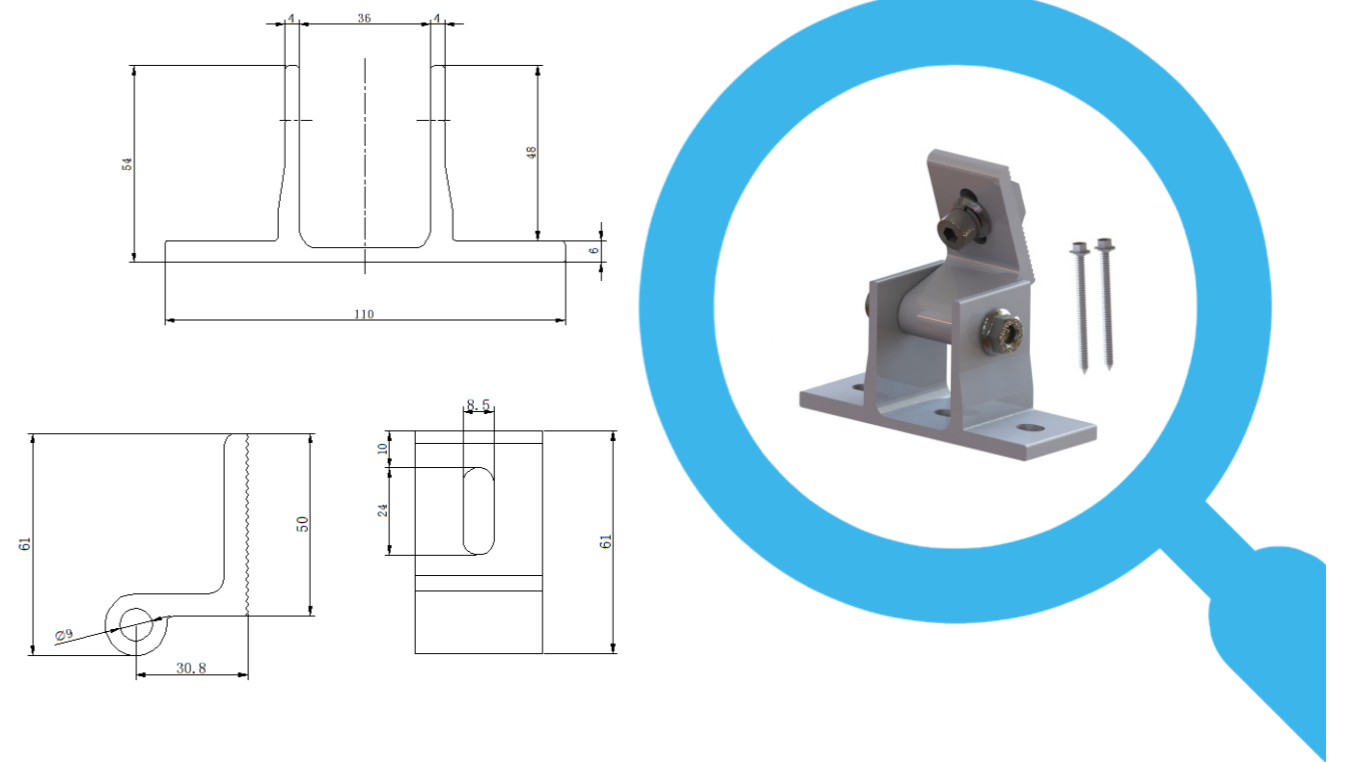
TT-IK-01

Product CODE	TT-IK-01
Product Name	TT Tile Roof Hook
MATERIAL	Ss304 & SUS410 Screw(Dacromet)
SURFACE TREATMENT	Stainless Steel
Package	40pcs/carton, 545*212*340mm
Weight	0.54KG/PC
Contents	1x M8 bolt (25mm) bolt with D-module 3x ST6.3 (60mm)screws



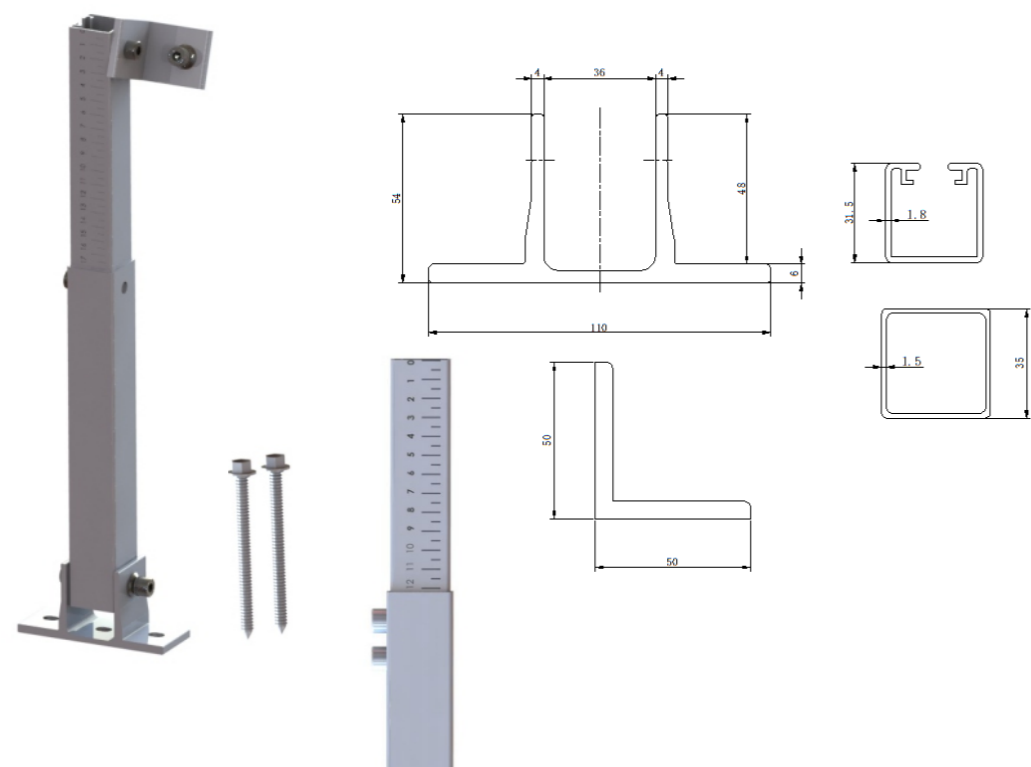
TT-AD-FL

Product CODE	TT-AD-FL
Product Name	TT Adjustable Flat Roof Front Leg
MATERIAL	AL6005-T5 & SS304 Bolt & SUS 410 Screw(Dacromet)
SURFACE TREATMENT	ANODIZING 10um
Package	80pcs/carton, 545*212*340mm
Weight	0.25KG/PC
Contents	1x M8 bolt(25mm) with D-module 2x ST6.3 (80mm)screws, 2 x rubber pad



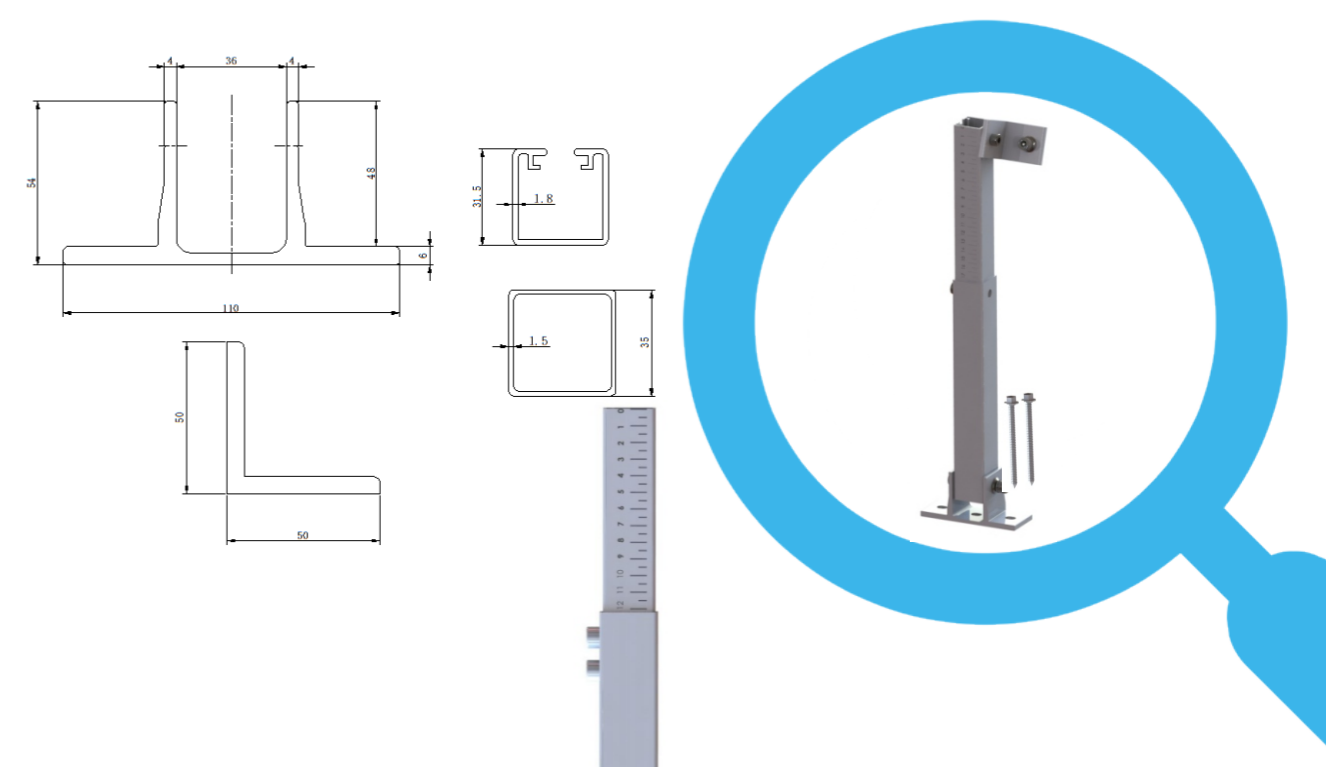
TT-AD-RL-15/30

Product CODE	TT-AD-RL-15/30
Product Name	TT Adjustable Flat Roof Rearleg 15/30
MATERIAL	AL6005-T5 & SS304 Bolt& SUS 410 Screw(Dacromet)
SURFACE TREATMENT	ANODIZING 10um
Package	25pcs/carton, 545*212*340mm
Weight	0.70KG/PC
Degree	15-30 degree
Contents	1x M8 bolt(25mm) bolt with D-module 2x ST6.3 (80mm)screws, 2x rubber pad



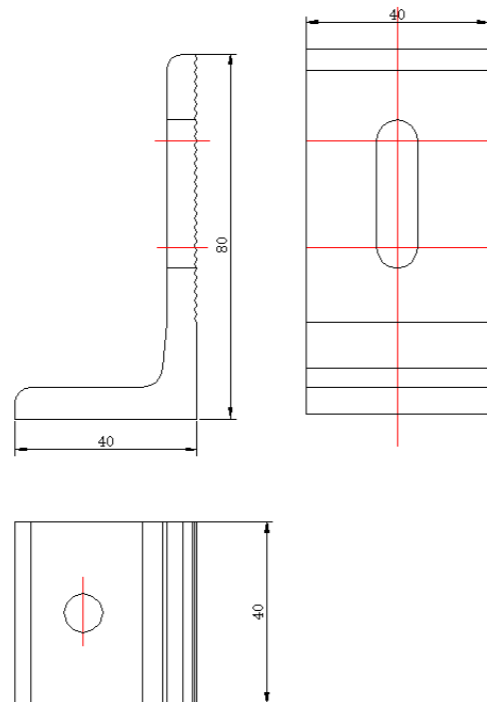
TT-AD-RL-10/15

Product CODE	TT-AD-RL-10/15
Product Name	TT Adjustable Flat Roof Rear Leg 10/15
MATERIAL	AL6005-T5 & SS304 Bolt& SUS 410 Screw(Dacromet)
SURFACE TREATMENT	ANODIZING 10um, B8 Coating Screw
Package	25pcs/carton,545*212*340mm
Weight	0.55KG/PC
Degree	10-15 degree
Contents	1x M8 bolt(25mm) withD-module 2x ST6.3 (80mm)screws,2x rubber pad



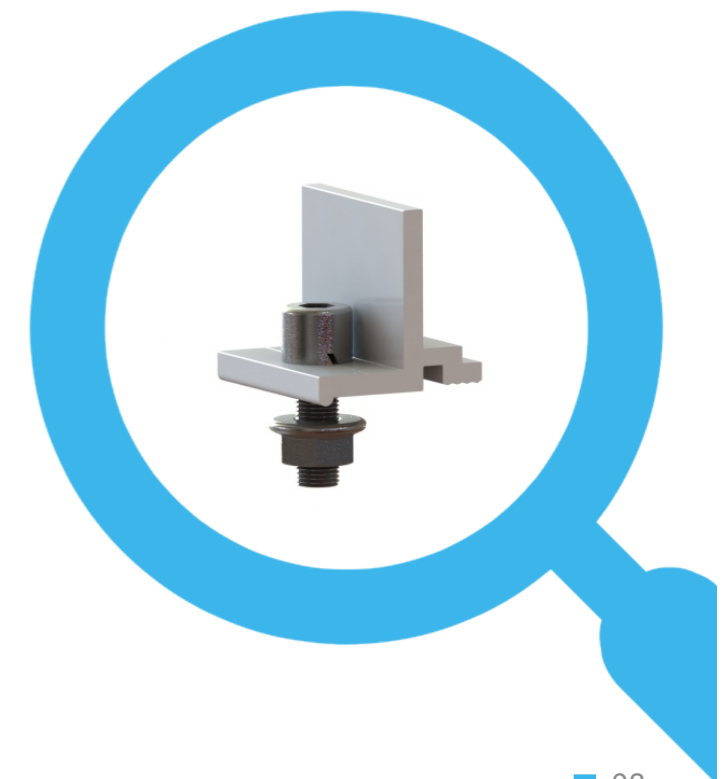
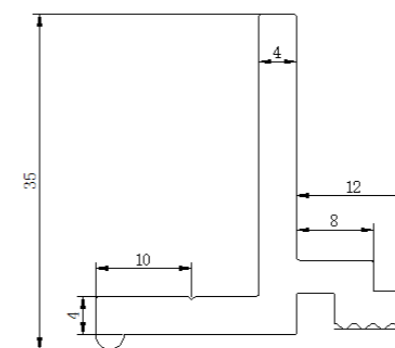
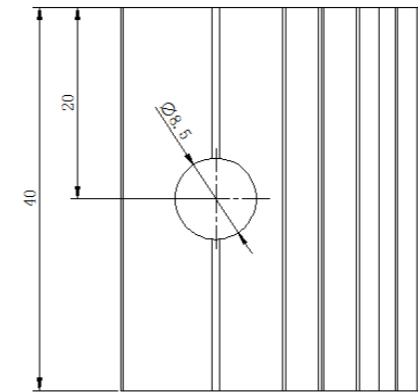
TT-IK-H04

Product CODE	TT-IK-H04
Product Name	TT L Feet H04
MATERIAL	AL6005-T5 & SS304 Bolt
SURFACE TREATMENT	ANODIZING 10um
Package	100pcs/carton 545*212*340mm
Weight	0.22KG/PC
Length	200mm
Contents	1x M10 bolt(200mm) with 3x hexagon nuts with flange 1x M8 bolt(25mm) with D-module



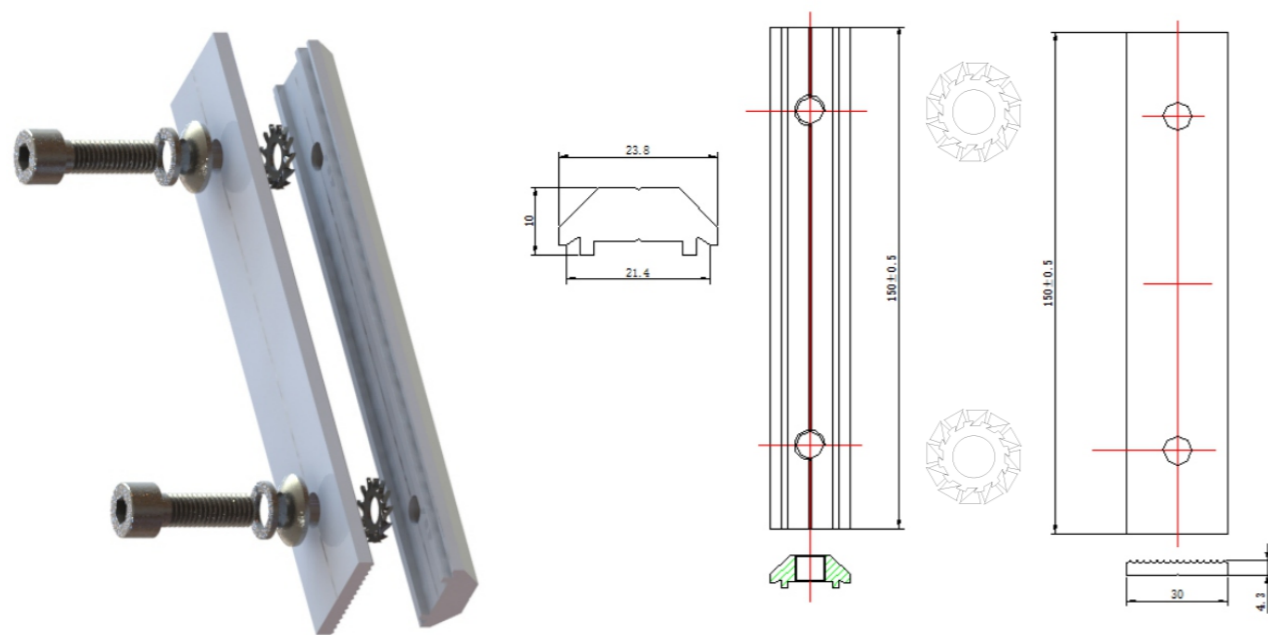
TT-RC-D

Product CODE	TT-RC-D
Product Name	TT Rail Clamp
MATERIAL	AL6005-T5 & SS304 Bolt
SURFACE TREATMENT	ANODIZING 10um
Package	400pcs/carton, 545*212*340mm
Weight	0.05KG/PC
Contents	M8 bolt(25mm) & D-module



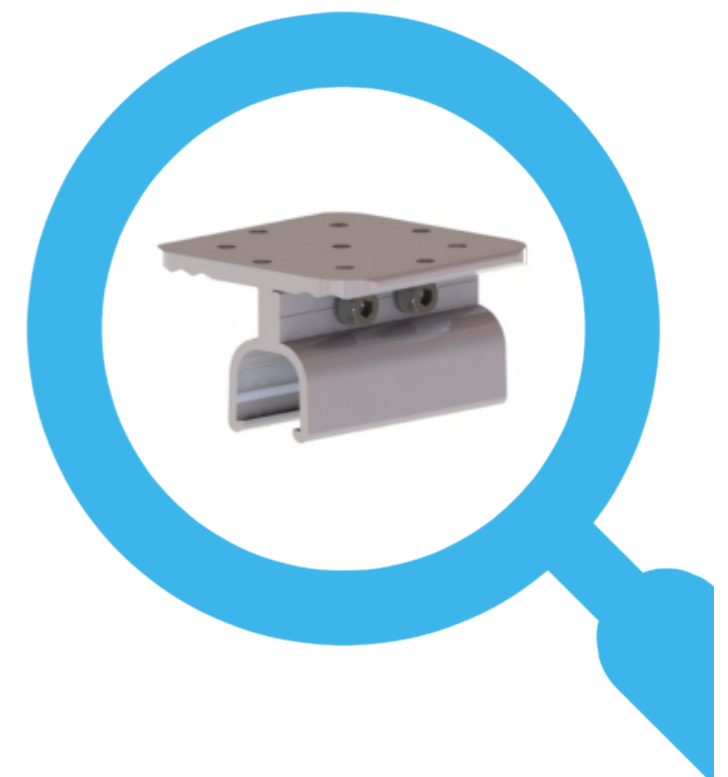
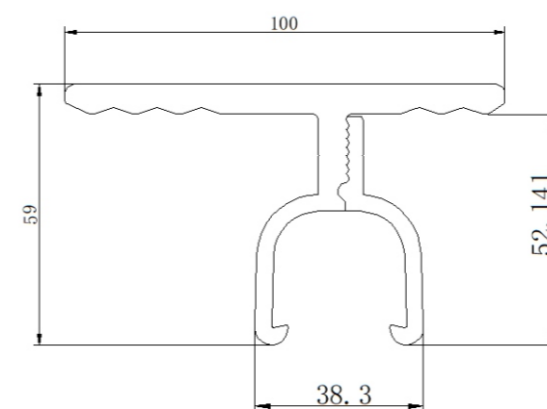
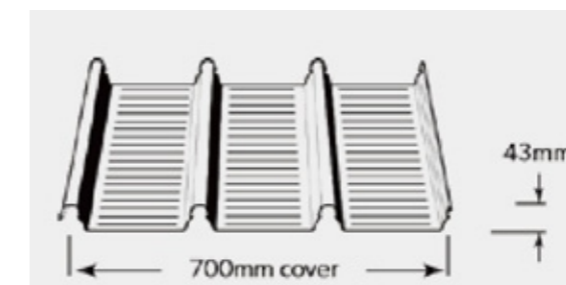
TT-R-SPB

Product CODE	TT-R-SPB
Product Name	TT Rail Splice Kit(with toothed gear)
MATERIAL	AL6005-T5 & SS304 Bolt
SURFACE TREATMENT	ANODIZING 10um
Package	200pcs/carton,545*212*340mm
Weight	0.14KG/PC
Length	150mm
Contents	2x M8 bolt(25mm) &with toothed gear



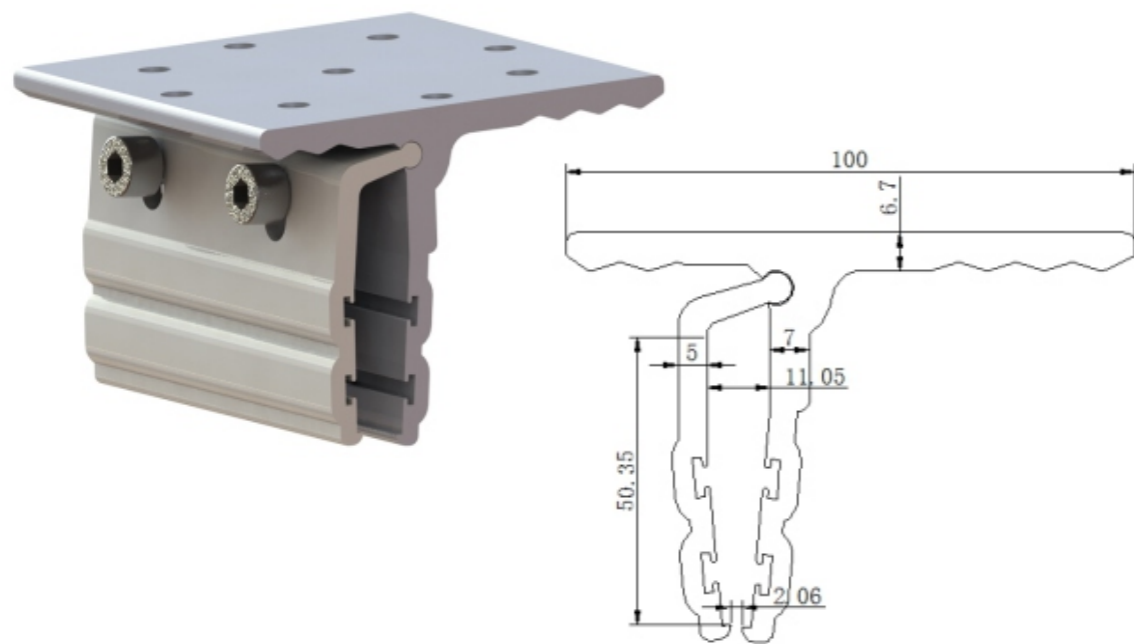
TT-IK-S07

Product CODE	TT-IK-S07
Product Name	TT Standing Seam Roof Hook 7#
MATERIAL	AL6005-T5 & SS304 Bolt
SURFACE TREATMENT	ANODIZING 10um
Package	72pcs/carton,545*212*340mm
Weight	0.36KG/PC
Length	100mm
Contents	2x M8 bolt(16mm) onthe side, 2x M8 bolt(25mm) on the top,1x EPDM rubber pad



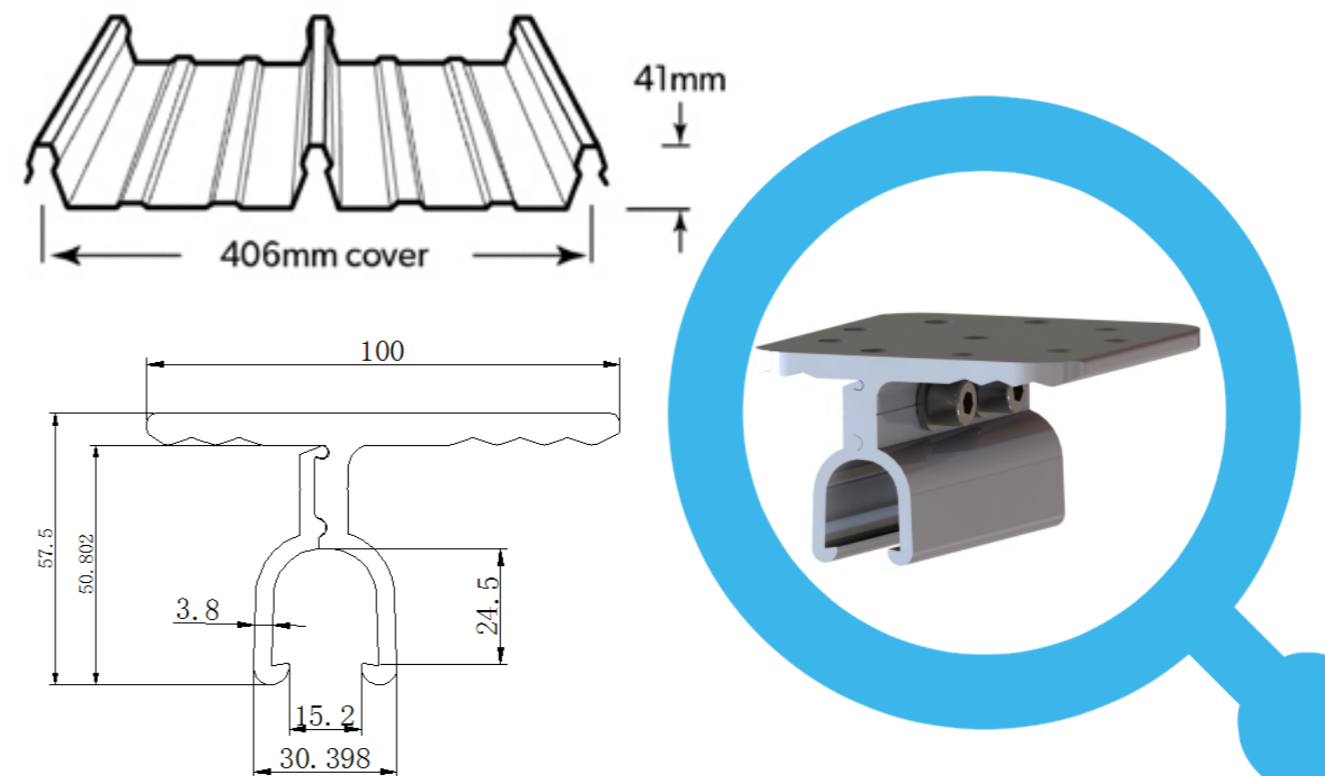
TT-CK-S01

Product CODE	TT-CK-S01
Product Name	TT Standing Seam Roof Hook 1#
MATERIAL	AL6005-T5 & SS304 Bolt
SURFACE TREATMENT	ANODIZING 10um
Package	72pcs/carton,545*212*340mm
Weight	0.43KG/PC
Length	100mm
Contents	2x M8 bolt(35mm) onthe side, 2x M8 bolt(20mm) on the top,1x EPDM rubber pad



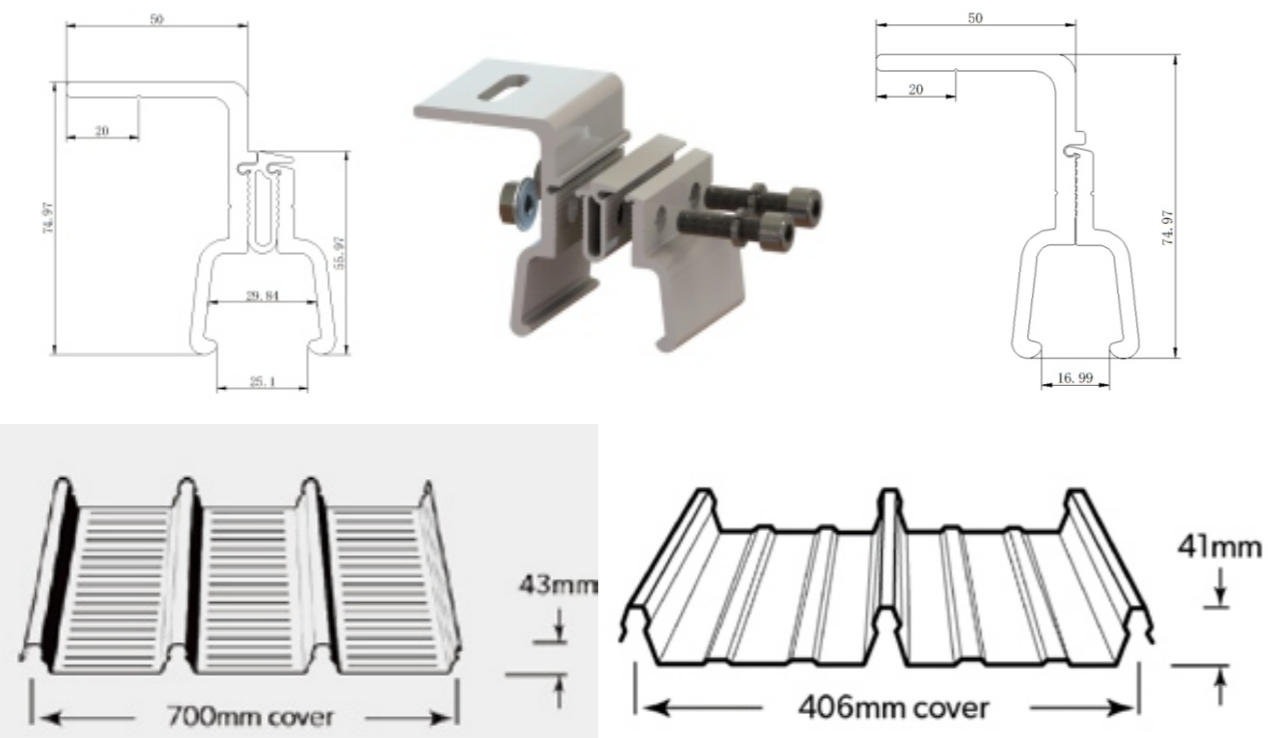
TT-IK-406

Product CODE	TT-IK-406
Product Name	TT Standing Seam Roof Hook406
MATERIAL	AL6005-T5 & SS304 Bolt
SURFACE TREATMENT	ANODIZING 10um
Package	72pcs/carton,545*212*340mm
Weight	0.35KG/PC
Length	100mm
Contents	2x M8 bolt(16mm) onthe side, 2x M8 bolt(25mm) on the top,1x EPDM rubber pad



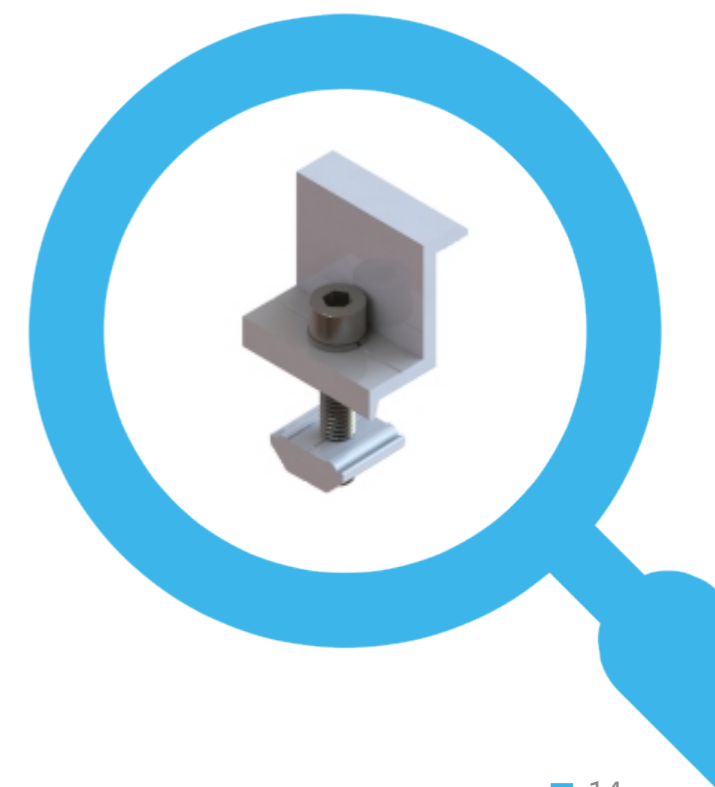
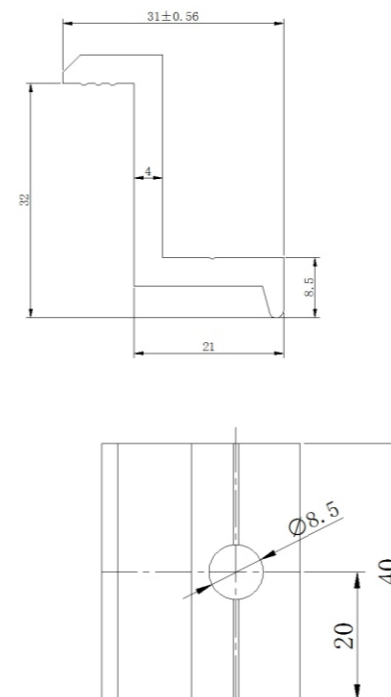
TT-IK-Mh700

Product CODE	TT-IK-MH700
Product Name	TT Cliplok MH700
MATERIAL	AL6005-T5 & SS304 Bolt
SURFACE TREATMENT	ANODIZING 10um
Package	120pcs/carton,545*212*340mm
Weight	0.19KG/PC
Length	60mm
Contents	2x M8 bolt(35mm) 1x rubber pad



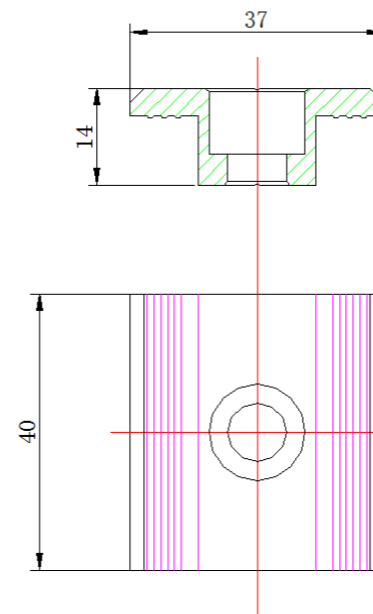
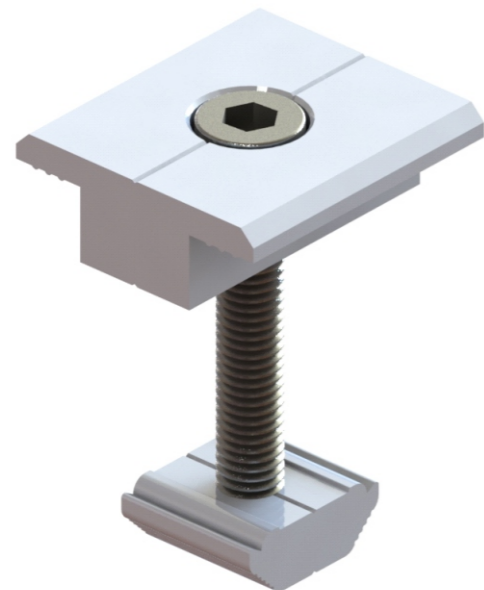
TT-EC-32

Product CODE	TT-EC-32
Product Name	TT End Clamp Kit 32mm
MATERIAL	AL6005-T5 & SS304 Bolt
SURFACE TREATMENT	ANODIZING 10um
Package	400pcs/carton,545*212*340mm
Weight	0.05KG/PC
Contents	1x M8 bolt(25mm)with D-module



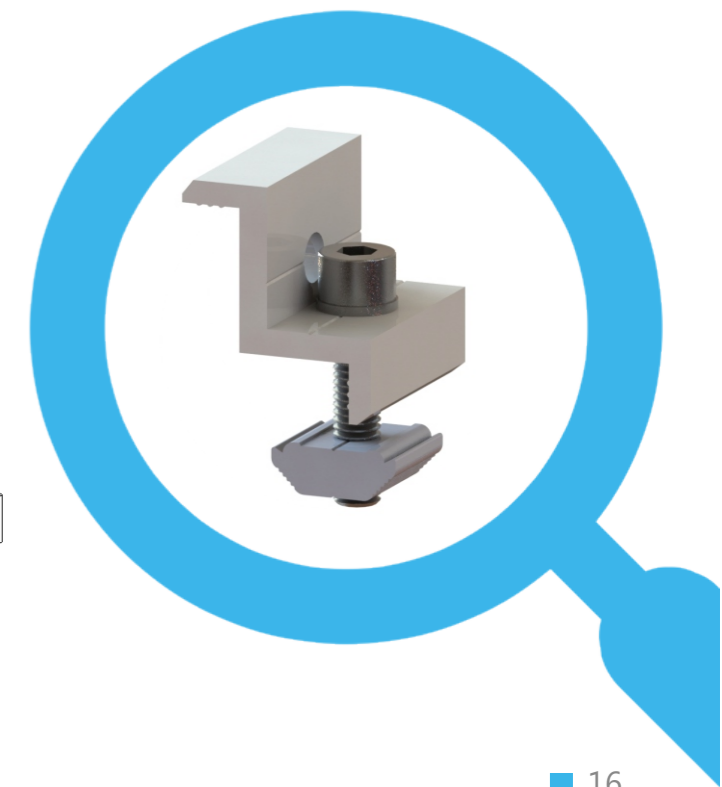
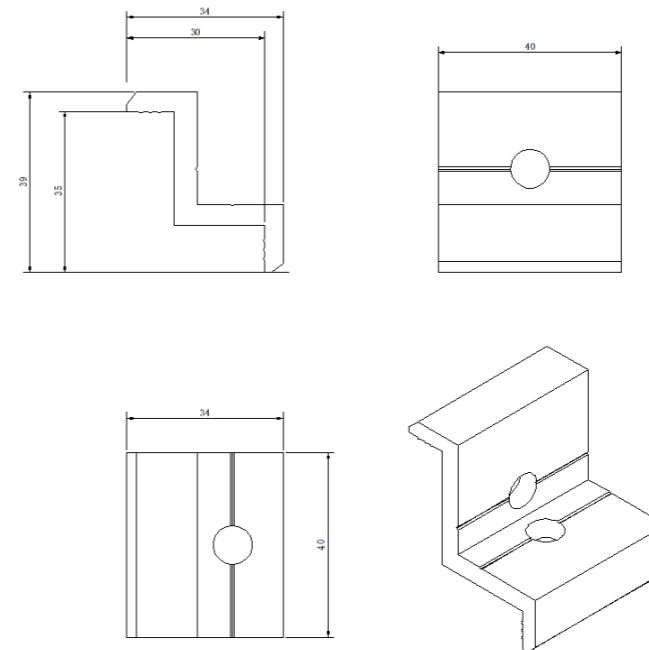
TT-IC-30/35

Product CODE	TT-IC-30/35
Product Name	TT Inter Clamp Kit 30/35mm
MATERIAL	AL6005-T5 & SS304 Bolt
SURFACE TREATMENT	ANODIZING 10um
Package	400pcs/carton,545*212*340mm
Weight	0.06KG/PC
Contents	M8 bolt(45mm) &D-module



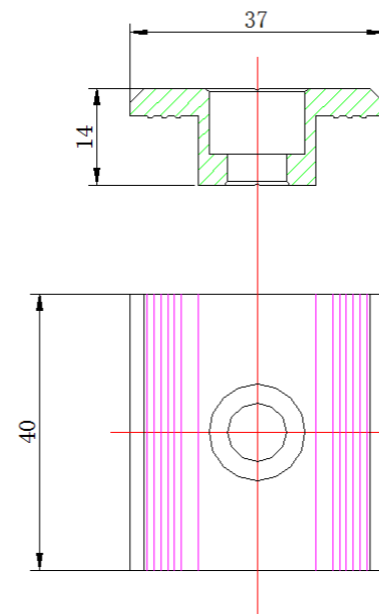
TT-EC-A30/35

Product CODE	TT-EC-A030/35
Product Name	TT Adjustable End Clamp Kit 30/35
MATERIAL	AL6005-T5 & SS304 Bolt
SURFACE TREATMENT	ANODIZING 10um
Package	400pcs/carton,545*212*340mm
Weight	0.06KG/PC
Contents	M8 bolt(30mm) &D-module



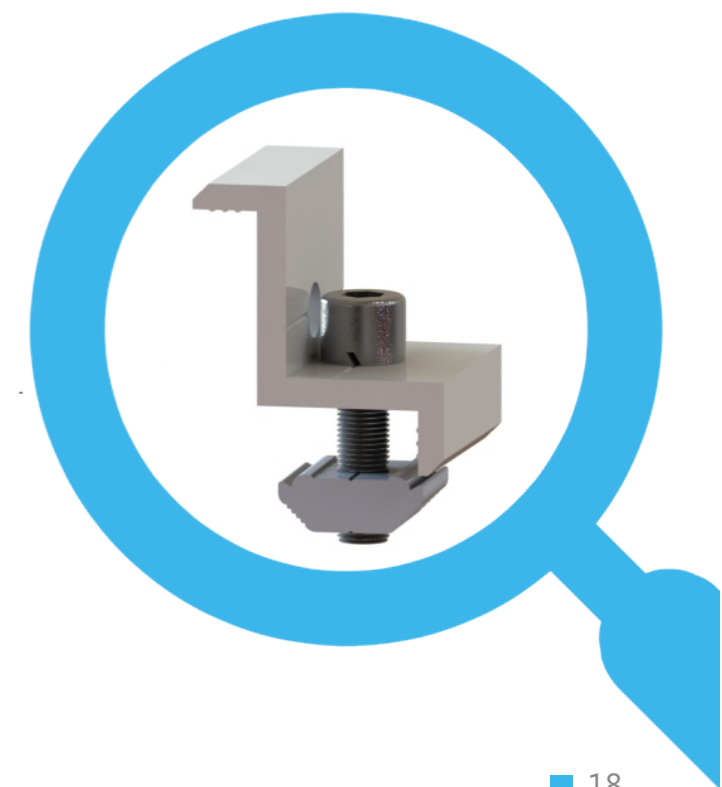
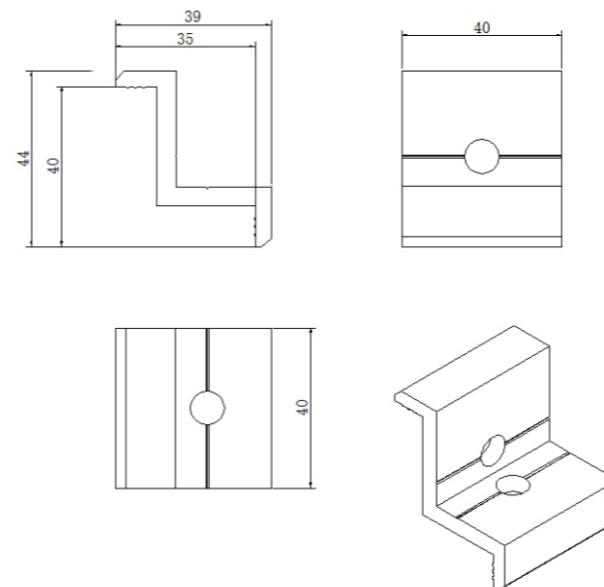
TT-IC-35/40

Product CODE	TT-IC-35/40
Product Name	TT Inter Clamp Kit 35/40mm
MATERIAL	AL6005-T5 & SS304 Bolt
SURFACE TREATMENT	ANODIZING 10um
Package	400pcs/carton,545*212*340mm
Weight	0.06KG/PC
Contents	M8 bolt(50mm) &D-module



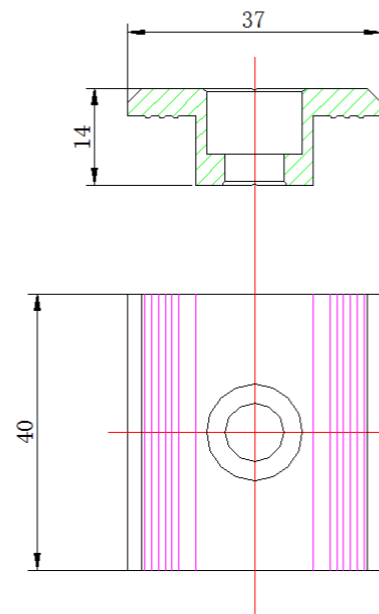
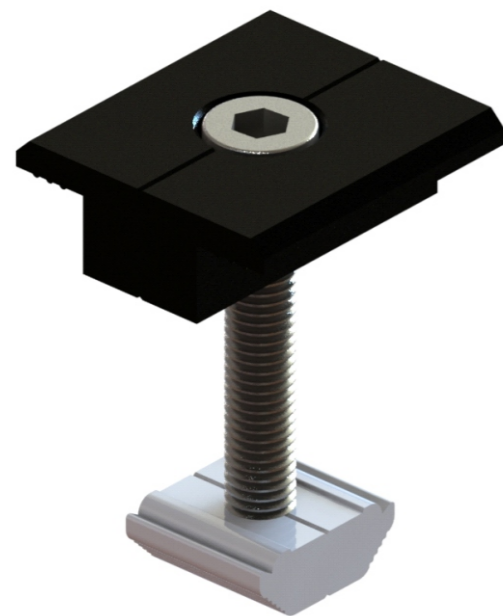
TT-EC-A35/40

Product CODE	TT-EC-A35/40
Product Name	TT Adjustable End Clamp Kit 35/40
MATERIAL	AL6005-T5 & SS304 Bolt
SURFACE TREATMENT	ANODIZING 10um
Package	400pcs/carton,545*212*340mm
Weight	0.06KG/PC
Contents	M8 bolt(30mm) &D-module



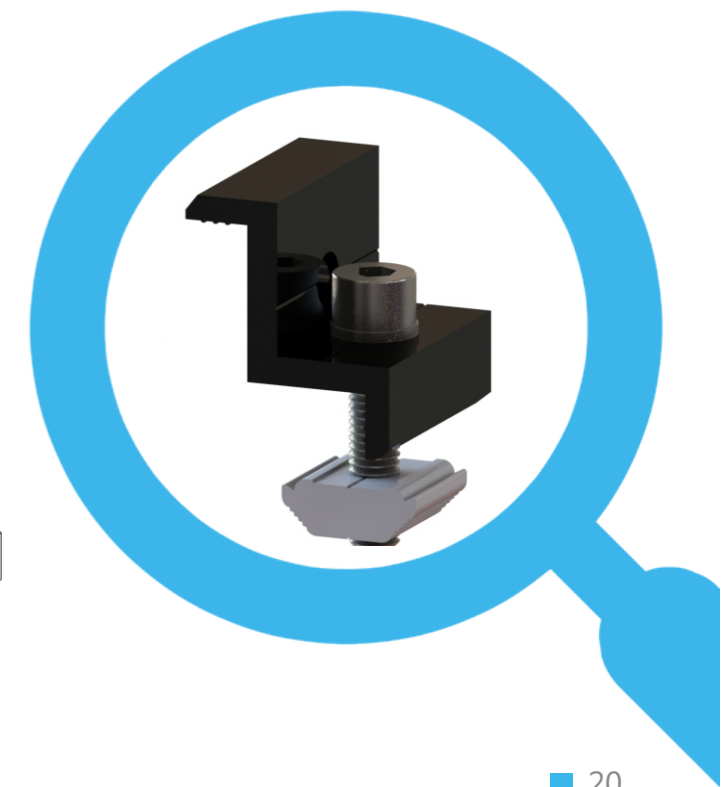
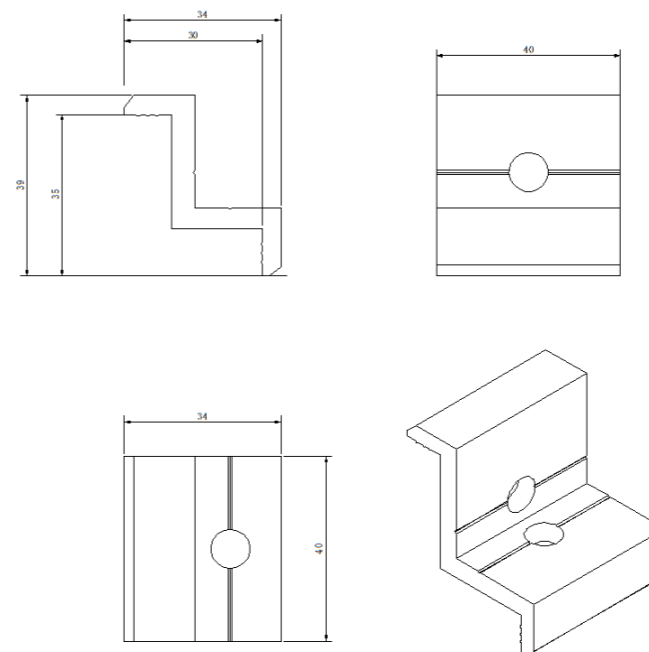
TT-IC-30/35B

Product CODE	TT-IC-30/35B
Product Name	TT Inter Clamp Kit 30/35mm Black
MATERIAL	AL6005-T5 & SS304 Bolt
SURFACE TREATMENT	ANODIZING 10um
Package	400pcs/carton,545*212*340mm
Weight	0.06KG/PC
Contents	M8 bolt(45mm) &D-module



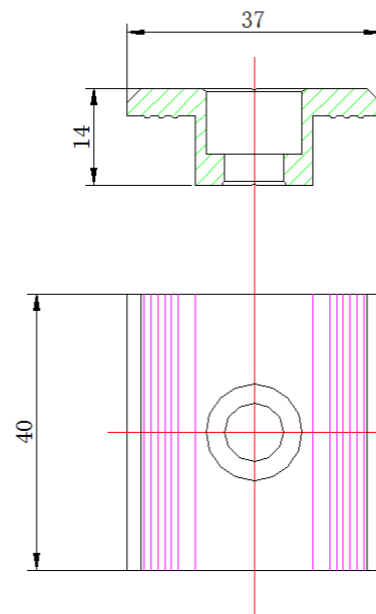
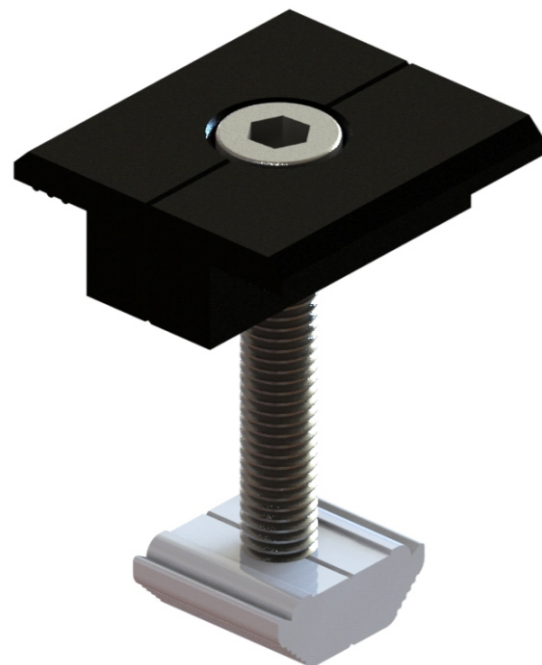
TT-EC-A30/35B

Product CODE	TT-EC-A30/35B
Product Name	TT Adjustable End Clamp Kit 30/35 Black
MATERIAL	AL6005-T5 & SS304 Bolt
SURFACE TREATMENT	ANODIZING 10um
Package	400pcs/carton,545*212*340mm
Weight	0.06KG/PC
Contents	M8 bolt(30mm) &D-module



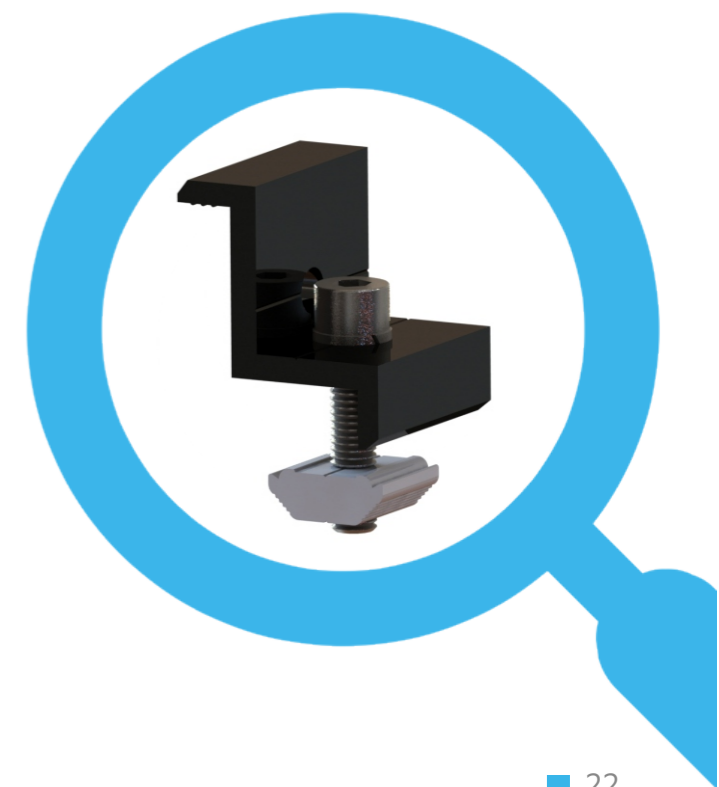
TT-IC-35/40B

Product CODE	TT-IC-35/40B
Product Name	TT Inter Clamp Kit 35/40mm Black
MATERIAL	AL6005-T5 & SS304 Bolt
SURFACE TREATMENT	ANODIZING 10um
Package	400pcs/carton,545*212*340mm
Weight	0.06KG/PC
Contents	M8 bolt(50mm) &D-module



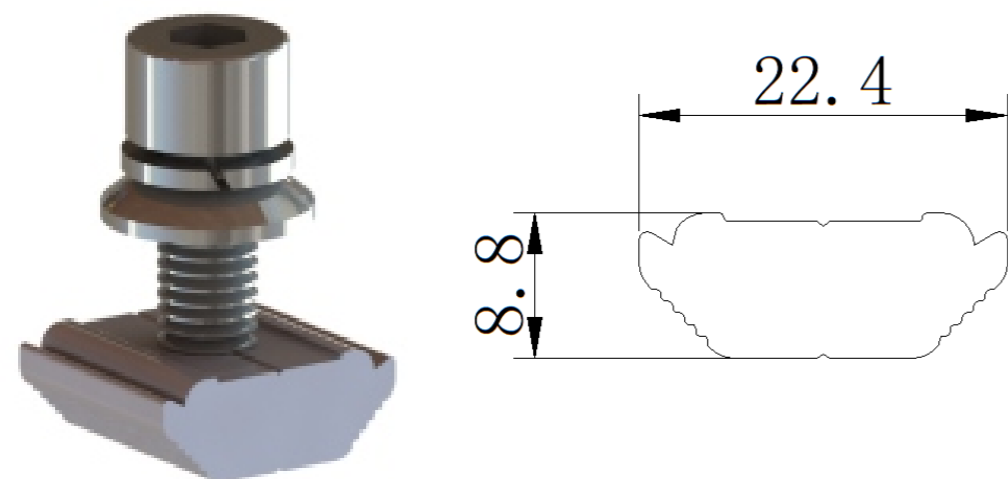
TT-EC-AA35/40B

Product CODE	TT-EC-AA35/40B
Product Name	TT Adjustable End Clamp Kit 35/40 Black
MATERIAL	AL6005-T5 & SS304 Bolt
SURFACE TREATMENT	ANODIZING 10um
Package	400pcs/carton,545*212*340mm
Weight	0.06KG/PC
Contents	M8 bolt(30mm) &D-module



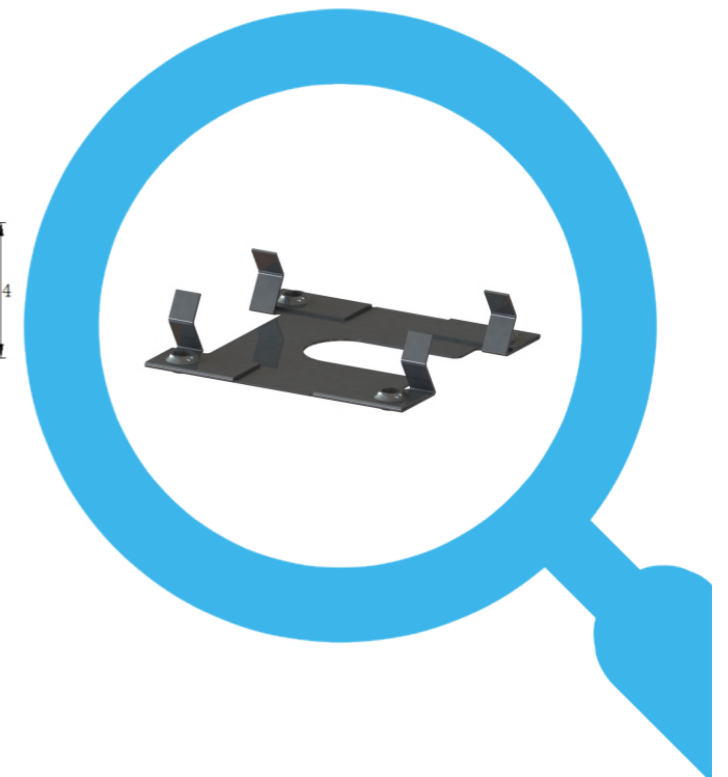
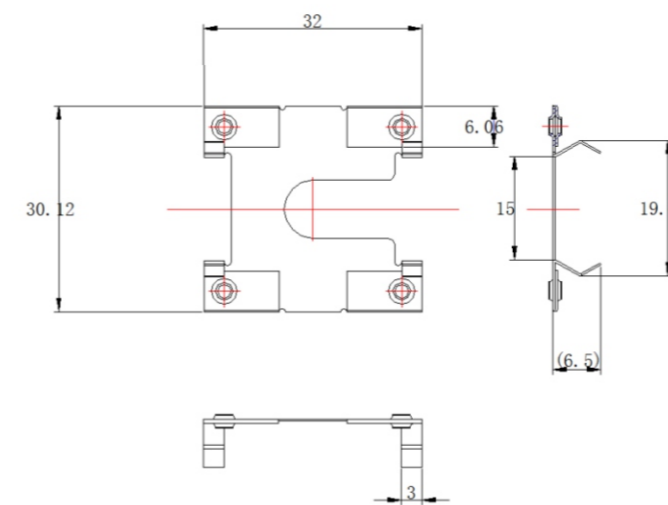
TT-DM-25

Product CODE	TT-DM-25
Product Name	TT Bolts & Nuts
MATERIAL	AL6005-T5 & SS304 Bolt
SURFACE TREATMENT	ANODIZING 10um
Package	2000pcs/carton, 545*212*340mm
Weight	24G/PC
Contents	1x M8 bolt(25mm) with D-module



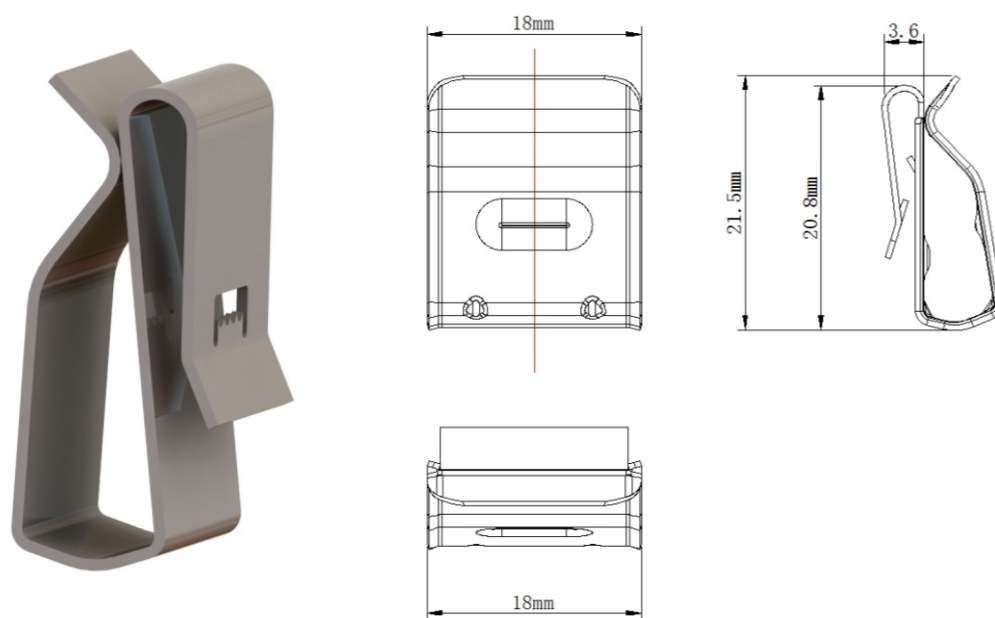
TT-GC

Product CODE	TT-GC
Product Name	TT Grounding Clip
MATERIAL	SS304
SURFACE TREATMENT	Stainless Steel
Package	4000pcs/carton, 545*212*340mm
Weight	2G/PC



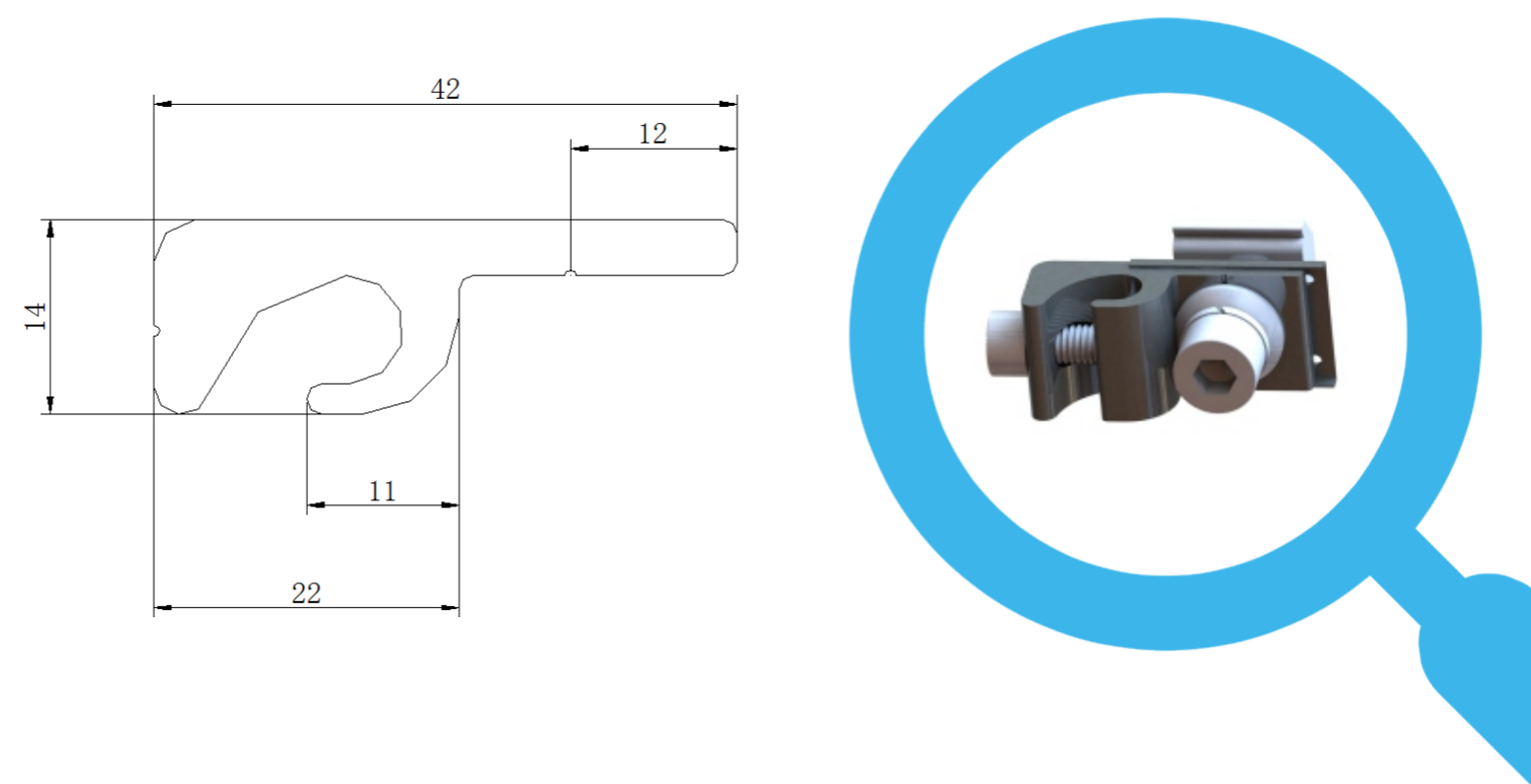
TT-SSCC

Product CODE	TT-SSCC
Product Name	TT Cable Clip
MATERIAL	SS304
SURFACE TREATMENT	Stainless Steel
Package	4000pcs/carton,545*212*340mm
Weight	4G/PC
Application	1-2pcs Cables, Cable DIA 5.0-6.5mm



TT-GL

Product CODE	TT-GL
Product Name	TT Grounding Lug
MATERIAL	Al6005-T5 & SS304 Bolt
SURFACE TREATMENT	CHROME PLATING 50um
Package	800pcs/carton,545*212*340mm
Weight	50G/PC
Contents	1x M8 bolt(25mm) with D-module, 1x M8 bolt (20mm)



TT-TIN-6P-35/40

Product CODE	TT-TIN-6P-35/40
Product Name	TT Tin Set 35/40mm 1.5KW
MATERIAL	AL6005-T5 & SS304 Bolt
SURFACE TREATMENT	ANODIZING 10um
Package	1 set/ inner carton,265*197*160mm 6 sets/master carton,545*212*340mm
Weight	2.91KG/set
Contents	TT-IK-05(Tin Roof Hook)x12pcs TT-GL(Grounding Lug)x2pcs TT-GC(Grounding Clip)x6pcs TT-R-SPB(Rail Splice Kit(with tooth ed gear)x2pcs TT-IC-35/40(Inter Clamp Kit 35/40)x10pcs TT-EC-A35/40(Adjustable End Clamp Kit 35/40)x4pcs

Tin35/40

Standard 1.5Kw Set

x 12

x 6

x 10

x 4

x 2

x 2

TT-TIN-8P-35/40

Product CODE	TT-TIN-8P-35/40
Product Name	TT Tin Set 35/40mm 2.0KW
MATERIAL	AL6005-T5 & SS304 Bolt
SURFACE TREATMENT	ANODIZING 10um
Package	1 set/ inner carton,265*197*260mm 4 sets/master carton,545*212*340mm
Weight	3.95KG/set
Contents	TT-IK-05(Tin Roof Hook)x16pcs TT-GL(Grounding Lug)x2pcs TT-GC(Grounding Clip)x8pcs TT-R-SPB(Rail Splice Kit(with tooth ed gear)x2pcs TT-IC-35/40(Inter Clamp Kit35/40)x14pcs TT-EC-A35/40(Adjustable End Clamp Kit 35/40)x8pcs

Tin35/40

Standard 2Kw Set

x 16

x 8

x 14

x 8

x 2

x 2

TT-TILE-6P-35/40

Product CODE	TT-TILE-6P-35/40
Product Name	TT Tile Set 35/40mm 1.5KW
MATERIAL	AL6005-T5 & SS304 Bolt
SURFACE TREATMENT	ANODIZING 10um
Package	1 set/ inner carton,265*197*160mm 4 sets/master carton,545*212*340mm
Weight	7.74KG/set
Contents	TT-IK-01(Tile Roof Hook)x12pcs TT-GL(Grounding Lug)x2pcs TT-GC (Grounding Clip)x6pcs TT-R-SPB(Rail Splice Kit(with toothed gear)x2pcs TT-IC-35/40(Inter Clamp Kit35/40)x10pcs TT-EC-A35/40(Adjustable End Clamp Kit 35/40)x4pcs
<p>Tile35/40 Standard 1.5Kw Set</p>	

TT-TILE-8P-35/40

Product CODE	TT-TILE-8P-35/40
Product Name	TT Tile Set 35/40mm 2.0KW
MATERIAL	AL6005-T5 & SS304 Bolt
SURFACE TREATMENT	ANODIZING 10um
Package	1 set/ carton,545*212*175mm
Weight	10.39KG/set
Contents	TT-IK-01(Tile Roof Hook)x16pcs TT-GL(Grounding Lug)x2pcs TT-GC(Grounding Clip)x8pcs TT-R-SPB(Rail Splice Kit(with toothed gear)x2pcs TT-IC-35/40(Inter Clamp Kit 35/40)x14pcs TT-EC-A35/40(Adjustable End Clamp Kit 35/40)x8pcs
<p>Tile35/40 Standard 2Kw Set</p>	